

Actuators



dynax CS 225



dynax CS 125

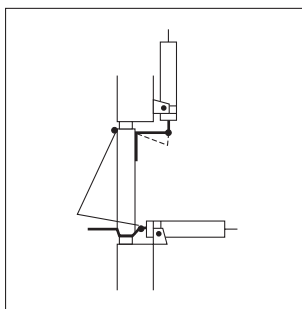
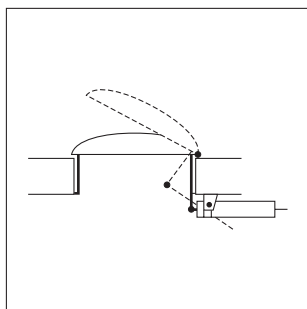


dynax CS 65

Dynax actuators

– electric driven linear force

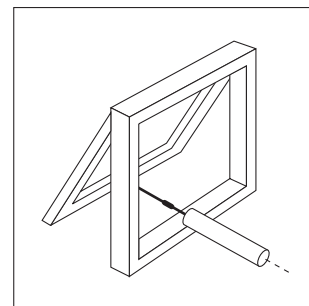
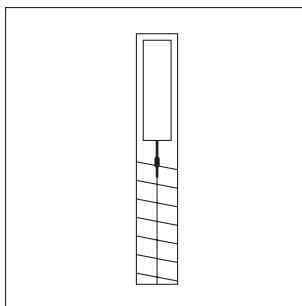
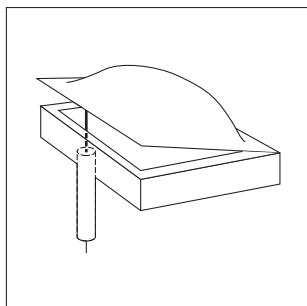
Open/close
Intermediate position
Raise/lower
Adjustment
Couple in/out
Turn/regulate



Window-ventilation
Venetian blind
Open · Regulating · Closing

Design

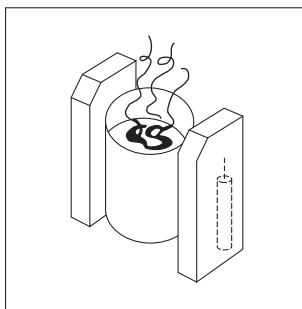
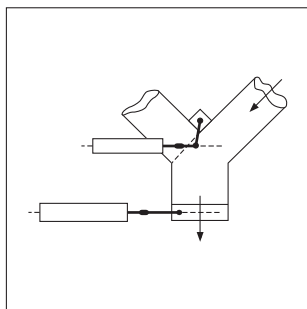
Simple mounting
Easy cleaning
Few inspection



Built-in nature eloxeret
Alu-pipe with black
pom plastic covers
POLYAMID 6

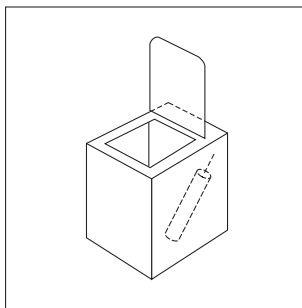
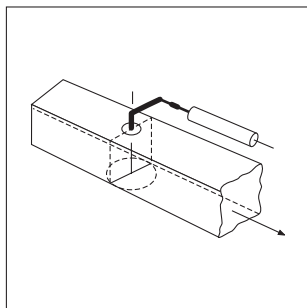
1 x 230 VAC
Up to 3 x 400 VAC

Intermittens 10%
built in motor 120°
thermal cut-out

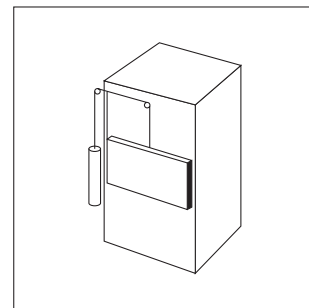


Filling station
Pot cooker
Open · Fill · Regulation
Empty · Close

Damper

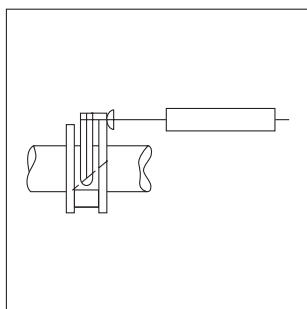


Bed-pan · Washer



Oven

Valves



Mechanical specifications

| | Force nominal N | Force max. N | Stroke length mm | Travel speed mm/s | Weight kg | Protection class |
|---------------|--------------------|-----------------|---------------------|----------------------|--------------|---------------------|
| CS 65 | 650 | 750 | 200/300 | 11 | 2.1 | IP54 |
| CS 125 | 1250 | 2000 | 220 | 15 | 4.1 | IP54 |
| CS 225 | 2250 | 2500 | 270 | 12 | 7.5 | IP54 |
| CS 300 | 3000 | 3750 | 270 | 12 | 7.6 | IP54 |

Electrical specifications

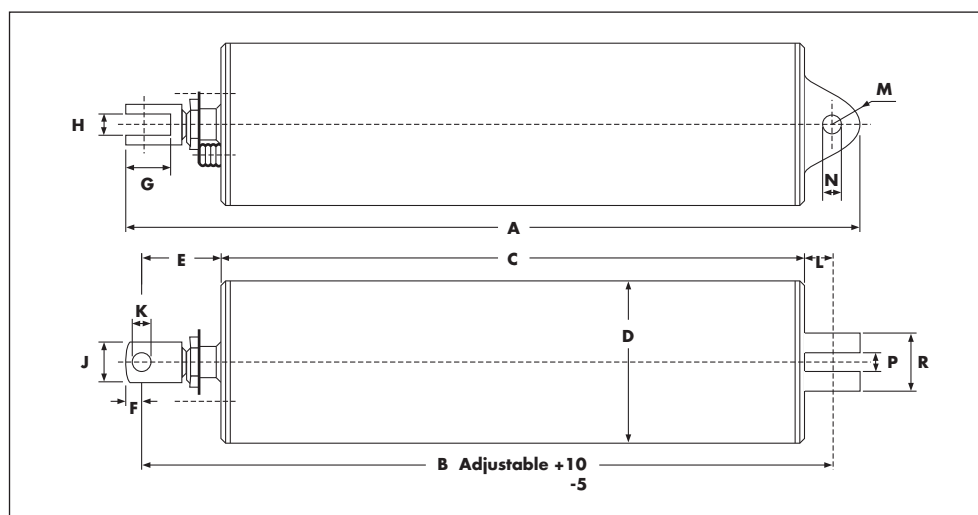
| | Supply voltage Volt | Average current Amp. | Intermittant 100% = 10 min. | Thermal cut-out °C | Insulation class | Test voltage Volt |
|---------------|------------------------|-------------------------|--------------------------------|-----------------------|---------------------|----------------------|
| CS 65 | 1 x 230 | 0.45 | 10 | 120 | B | 2000 |
| CS 125 | 1 x 230 | 0.75 | 10 | 120 | B | 2000 |
| CS 225 | 1 x 230 | 2.75 | 10 | 120 | B | 2000 |
| CS 300 | 1 x 230 | 3.00 | 10 | 120 | B | 2000 |

Dimensions (mm) – see plan below

| | A | B | C | D | E | F | G | H | J | K | L | M | N | P | R |
|---------------|-----|-----|-----|-----|----|----|----|----|----|----|----|----|----|------|------|
| CS 65 | 350 | 333 | 274 | 72 | 50 | 7 | 20 | 6 | 12 | 6 | 15 | 6 | 8 | 8 | 20 |
| CS 125 | 405 | 378 | 309 | 88 | 60 | 12 | 32 | 10 | 20 | 10 | 15 | 10 | 10 | 10.2 | 30.2 |
| CS 225 | 472 | 438 | 458 | 117 | 66 | 14 | 38 | 12 | 25 | 12 | 20 | 12 | 16 | 16.5 | 40 |
| CS 300 | 472 | 438 | 458 | 117 | 66 | 14 | 38 | 12 | 25 | 12 | 20 | 12 | 16 | 16.5 | 40 |

Trunnion mounting – see plan at back page

| | A | B | C | D | E | F | G | H | K | L | M |
|---------------|----|----|----|----|----|----|-----|-----|-----|----|----|
| CS 65 | 65 | 60 | 51 | 14 | 16 | 40 | 5.5 | 85 | 99 | 54 | 72 |
| CS 125 | 74 | 74 | 60 | 20 | 16 | 54 | 5.5 | 101 | 115 | 70 | 88 |



Plan for dimensions

Special versions

- Changed stroke length

- Changed voltage (AC)

- Changed speed

- Spindle tube in stainless steel

- Potentiometer build in

- 4-20 mA transducer build in

- NPN/PNP puls sensor build in

- Varistor build in

- Stand by heating build in

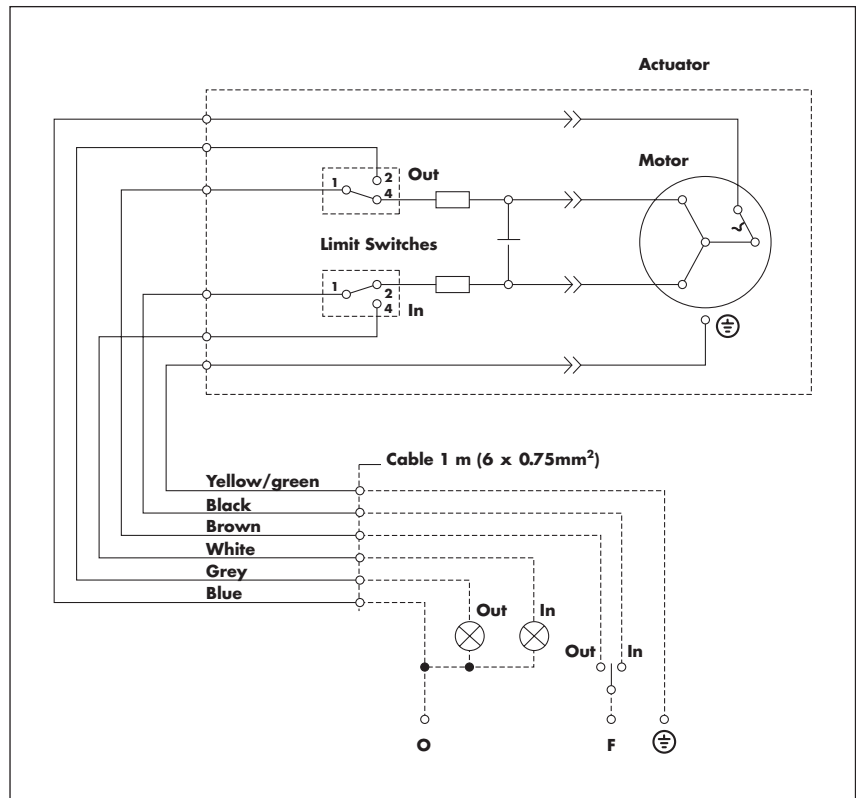
Extra equipment

- Trunnion mounting

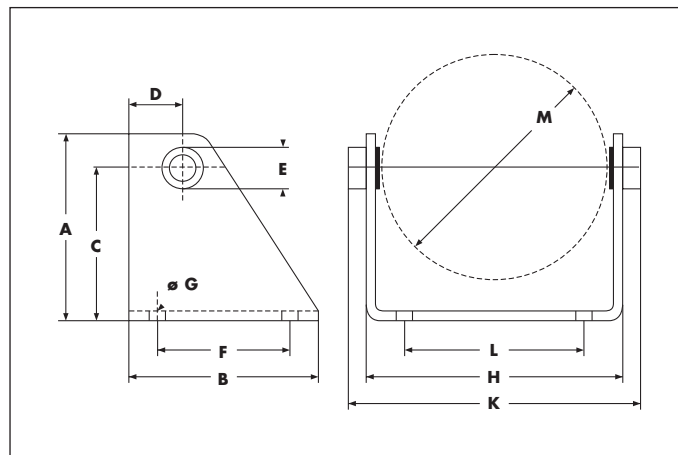
- FAG link bearing

- Ball-link

- Differential relay for remote control



Diagram



Plan for
trunnion mounting/
extra equipment



oi-electric a|s
 Hoerretvej 61
 8320 Maarslet, Denmark
 Phone +45 8737 6400
 Fax +45 8629 4844
 oi@oi-electric.dk
 www.oi-electric.dk