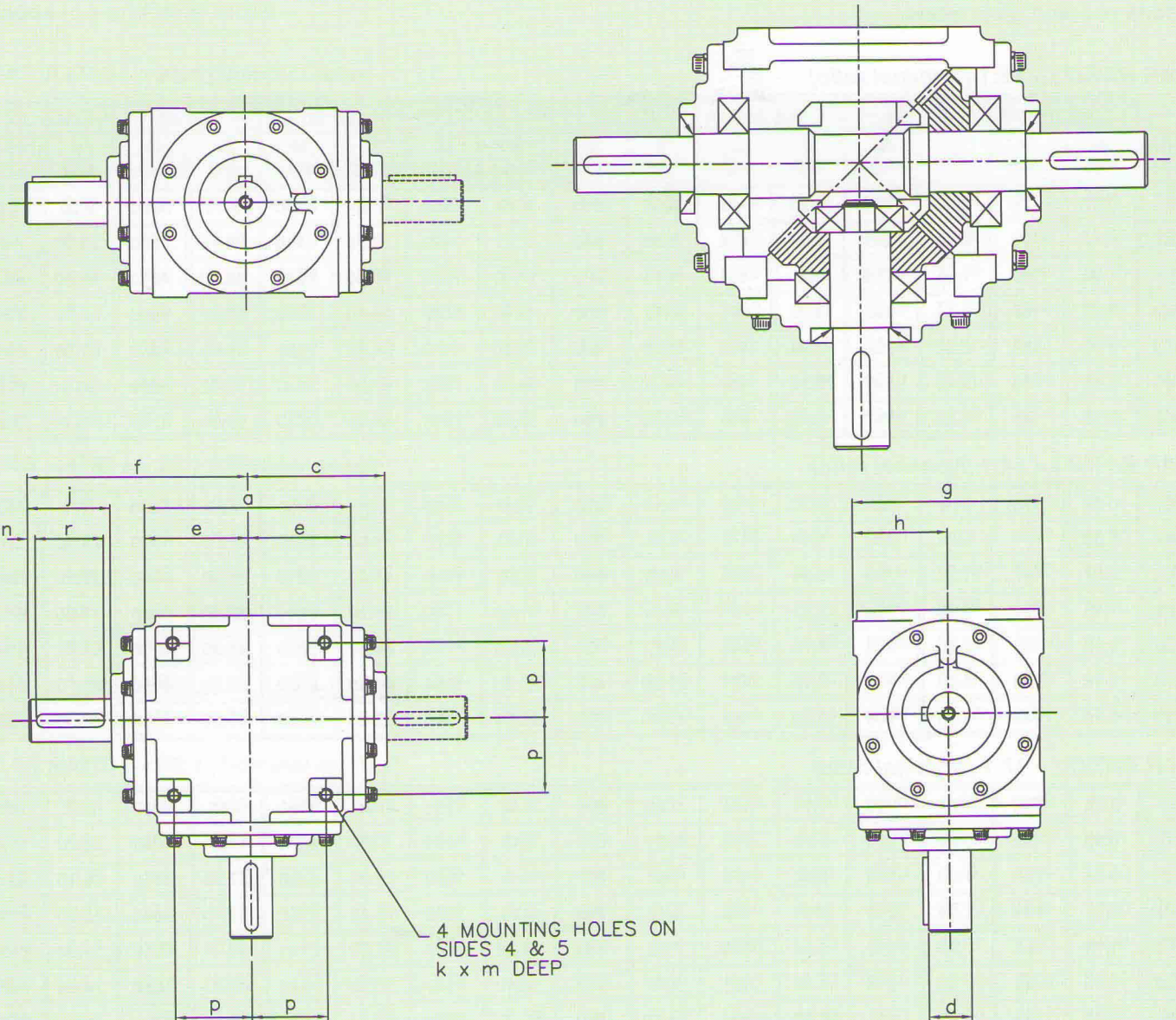


COMPACT RANGE



THE ILLUSTRATION SHOWS DESIGN 13R

Note: for Rotation Direction Coding, see page 13

GEAR RATIO $i = 1:1, 1.5:1$

Size	a	b	c	ϕ d_{js6}	e	f	g	h	j	k	m	n	p	r key to BS.4235
C 35	90	105	64	19	45	105	92.00	46.00	41	M8	12	2	36.50	6 x 6 x 36
C 37	130	140	90	24	65	140	104.80	52.40	50	M10	20	4	54.00	8 x 7 x 40
C 38	156	165	104	32	78	165	142.90	71.45	61	M10	20	5	57.15	10 x 8 x 50



Official Dealer
MultiComponents International B.V.
www.multicomponents.nl