

FOR LOADS UP TO
60 KGS

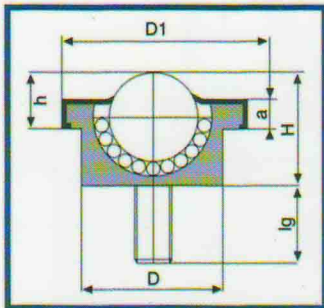
HEAVY - DUTY - TYPE

"SP + FL" SERIE

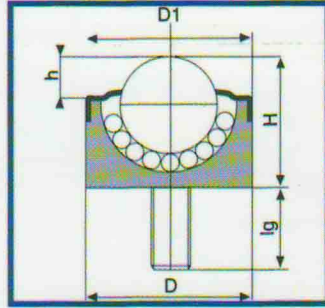
SOLID MACHINED BODY STEEL WITH THREADED NUT FOR HEAVY LOADS (NO SEALING SYSTEM)

TD= thread diameter 6mm-8mm-10mm or different size (on request)

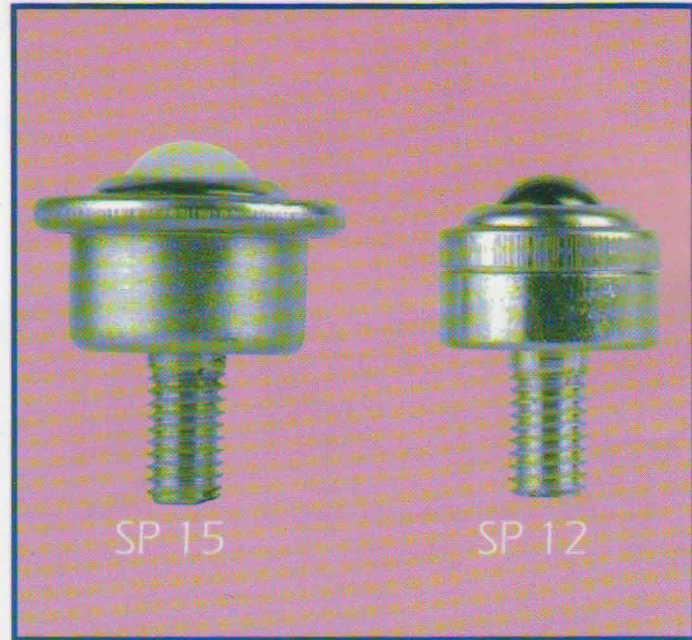
L= lenght 10mm-15mm-20mm-25mm-30mm or different size (on request)



SP 15



SP 12



SP 15

SP 12

TYPE	SPECIFICATION	dw	D ±0,06	D1	h ±0,06	H	a	LOADING CAPACITY		UNIT WEIGHT KG.
								KG	KG	
SP12 A-FL SP15 A-FL	BRIGHT METAL MACHINED BODY AND STEEL BALLS.	12 15	22 24	22 31	6 10	17 21	- 5	30 60	12 24	0,045 0,070
SP12 B-FL SP15 B-FL	ZINC PLATED MACHINED BODY AND STEEL BALLS	12 15	22 24	22 31	6 10	17 21	- 5	30 60	12 24	0,045 0,070
SP12 C-FL SP15 C-FL	ZINC PLATED MACHINED BODY AND STAINLESS STEEL BALLS TYPE AISI 420	12 15	22 24	22 31	6 10	17 21	- 5	12 25	6 10	0,045 0,070
SP12 D-FL SP15 D-FL	ZINC PLATED MACHINED BODY LARGE BALL IN POLYACETAL AND SMALL BALLS STAINLESS STEEL TYPE AISI 420	12 15	22 24	22 31	6 10	17 21	- 5	6 8	NOT APPLIED	0,035 0,040
SP12 SS-FL SP15 SS-FL	COMPLETELY S.S. MACHI- NED BODY TYPE AISI 303 AND S.S. BALLS TYPE AISI 420	12 15	22 24	22 31	6 10	17 21	- 5	15 25	6 10	0,045 0,070
SP12 SS-CD SP15 SS-CD	COMPLETELY S.S. MACHI- NED BODY TYPE AISI 303, LARGE BALL IN POLYACETAL AND SMALL BALLS S.S. TYPE AISI 420	12 15	22 24	22 31	6 10	17 21	- 5	6 8	NOT APPLIED	0,035 0,040

(SP12 WITHOUT COLLAR IN ALL TYPES)
EXECUTION WITH COLLAR ON REQUEST.



Official Dealer
MultiComponents International B.V.
www.multicomponents.nl

ON REQUEST=

C-FL / D-FL / SS-CD version can be supplied with stainless steel balls type AISI 304/316/440C.