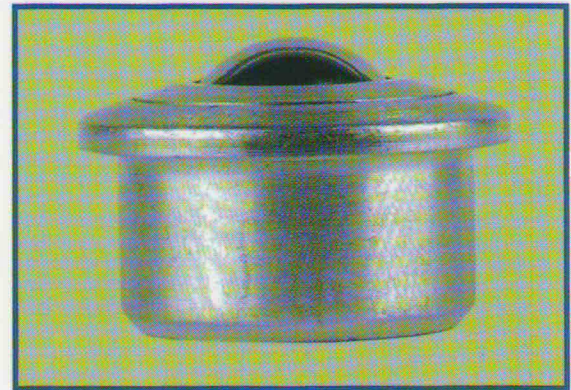
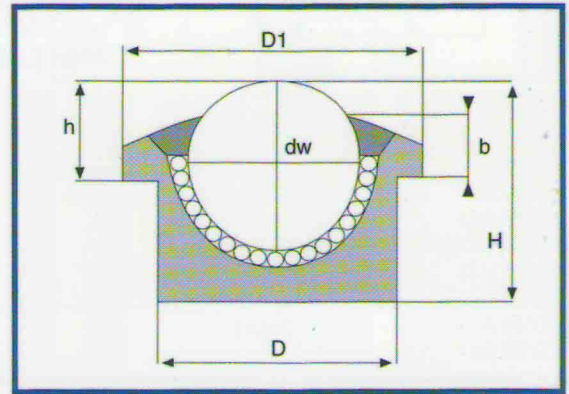
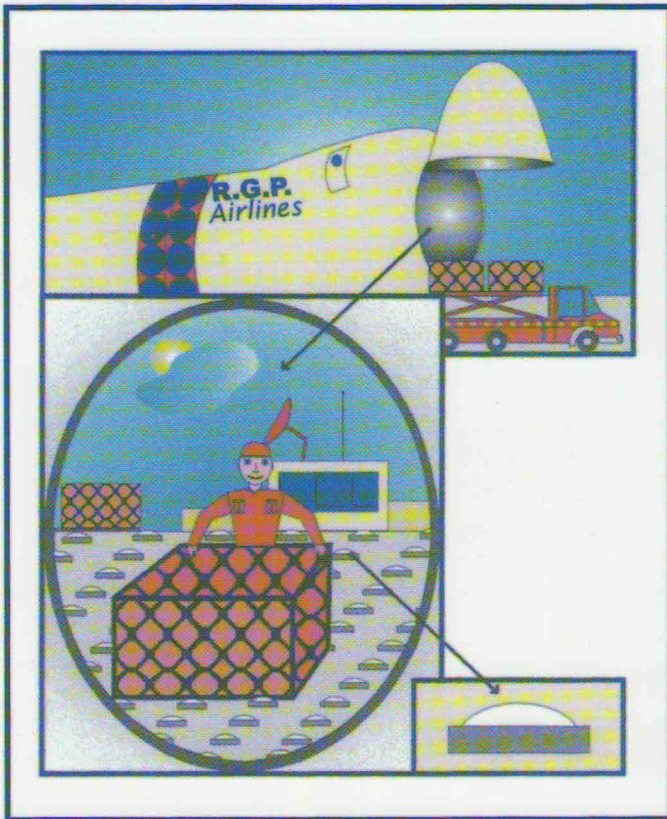


# HEAVY - DUTY - TYPE

# "SP" CX SERIE

AIR CARGO & AIRPORT HANDLING UNITS

Solid Machined Body Steel with inner ball race made of stainless steel type AISI 420 especially thru - hardened HRC 60, sealing system & self cleaning bottom hole incorporated. Especially designed to allow long life & corrosion resistance in outdoors extreme ambient conditions like rain, snow, ice and dust. Temperatures between - 50°C + 100°C. Stainless steel balls AISI 440C available on request.



TYPE	SPECIFICATION	dw	D	Tol	D1	h	Tol	H	b	LOADING CAPACITY		UNIT WEIGHT KG
										KG	KG	
SP22 CX	ZINC PLATED MACHINED BODY, HARDENED INNER BALL RACE STAINLESS STEEL TYPE AISI 420 AND ALL BALLS S.S. AISI 420	22	36	+ 0,08	45	9,8	+ 0,2	30,5	6	120	48	0,185
SP30 CX		30	45	+ 0,08	55	13,8	+ 0,3	36,8	8	200	80	0,365
SP45 CX		45	55	+ 0,095	75	19	+ 0,4	53,5	10	300	120	0,990
SP22 CX-SS	COMPLETELY STAINLESS STEEL BODY TYPE AISI 303, HARDENED INNER BALL RACE STAINLESS STEEL TYPE AISI 420 AND ALL BALLS STAINLESS STEEL TYPE AISI 420	22	36	+ 0,08	45	9,8	+ 0,2	30,5	6	120	48	0,185
SP30 CX-SS		30	45	+ 0,08	55	13,8	+ 0,3	36,8	8	200	80	0,365
SP30 CX-SS		45	55	+ 0,095	75	19	+ 0,4	53,5	10	300	120	0,990



Official Dealer

MultiComponents International B.V.  
www.multicomponents.nl