

Original SCHNORR®-Safety Washers Type "UV"



Captive Safety Washers

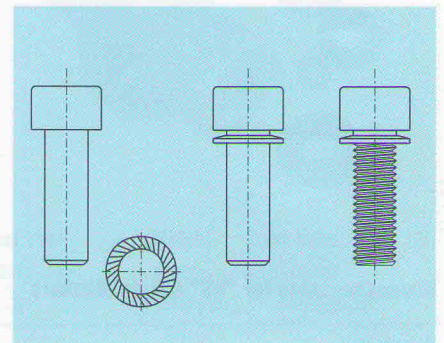
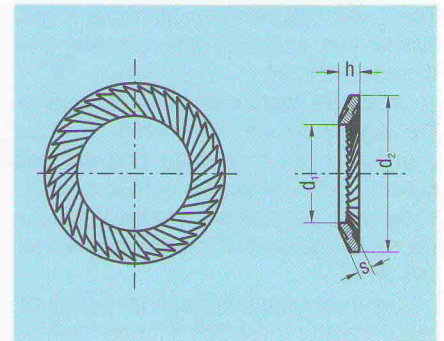
For screw and washer assemblies with captive Safety Washers

It is already with the production of screws where the blank screw and the Safety Washer – which has an even smaller hole diameter than the thread outside diameter of the screw – are put together.

After that the thread is rolled. Because of the high plastic deformation of the thread the shaft diameter of the screw becomes larger than the hole diameter of the Safety Washer, what makes them unlooseable, but still they remain rotatable.

These washers are designed for high axial force. They are made of high quality spring steel or corrosion resistant steel. The washers are designed to be used in conjunction with screws of the same material. The washers are designed to be used in conjunction with screws of the same material.

Designation for an Original SCHNORR®-Safety Washer type "UV" for a screw M8: Safety Washer UV8



only "UV" washers available, no complete units

Dimension table for "UV" Safety Washers

Article No.	Size (Nominal) [mm]	d ₁ H14 [mm]	d ₂ h14 [mm]	s [mm]	Weight [kg/1000 pcs.]
405550	2.5	2.22	4.3	0.5	0.035
409578	3	2.75	4.8	0.6	0.047
412677	3.5	3.2	5.5	0.6	0.061
414050	4	3.25	7	0.75	0.163
414040	4	3.6	6	0.8	0.089
414060	4	3.6	7	0.8	0.143
414000	4	3.65	7	0.8	0.142
415900	5	4.5	9	0.95	0.317
417677	6	5.5	10	1	0.367
420700	8	7.4	13	1.2	0.784
423300	10	9.25	16	1.5	1.482

- Article-No.: Valid for normal execution (spring steel, hardened, blank, not oiled)
- Available material: Spring steel as per DIN 17222; corrosion resistant steel 1.4301; spring bronze CuSn8.
- Available finishes: blank, not oiled (standard), blackened, phosphated, zinc-plated, cadmium-plated.
- Minimum quantity: 50.000 pieces per size

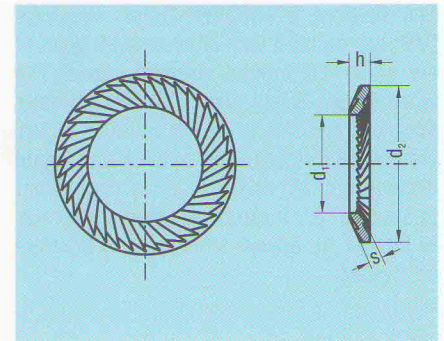


Official Dealer
MultiComponents International B.V.
www.multicomponents.nl

Original SCHNORR®-Safety Washers Type "S"



The original SCHNORR®-Safety Washer "S" can be used for normal duty and it is available for screws from M 1.6 to M 36. Further sizes and special measurements are possible on request.



Designation for an Original SCHNORR®-Safety Washer type "S" size 8 in spring steel: Safety Washer S 8 FSt.

Dimension table for "S" Safety Washers

Article No.	Size (Nominal) [mm]	d ₁	d ₂	s	h	h	Weight (7.85 kg/dm ³) [kg/1000 pcs.]	Packaging [pcs. per box]	for bolts	
		H14 [mm]	h14 [mm]		max. [mm]	min. [mm]			metric [mm]	imperial [inch]
402300	1.6	1.7	3.2	0.35	0.6	0.38	0.013	2000	1.6	
404400	2	2.2	4	0.35	0.6	0.39	0.021	2000	2	
406800	2.5	2.7	4.8	0.45	0.9	0.49	0.039	2000	2.5	
409400	3	3.2	5.5	0.45	0.9	0.51	0.049	2000	3	1/8"
411200	3.5	3.7	6	0.45	0.9	0.52	0.055	2000	3.5	
412700	4	4.3	7	0.5	1.0	0.59	0.085	1000	4	5/32"
414500	5	5.3	9	0.6	1.1	0.73	0.167	1000	5	3/16"
416300	6	6.4	10	0.7	1.2	0.82	0.200	1000	6	
418100	6.35	6.7	9.5	0.7	1.2	0.79	0.150	1000		1/4"
419200	7	7.4	12	0.7	1.3	0.89	0.355	1000	7	
420400	8	8.4	13	0.8	1.4	0.98	0.392	1000	8	5/16"
423000	10	10.5	16	1	1.6	1.21	0.750	1000	10	3/8"
425100	11.1	11.6	15.9	1	1.6	1.18	0.595	500		7/16"
426200	12	13	18	1.1	1.7	1.31	0.879	500	12	
427900	12.7	13.7	19	1.1	1.8	1.33	0.976	500		1/2"
429100	14	15	22	1.2	2.0	1.52	1.641	500	14	9/16"
430700	16	17	24	1.3	2.1	1.63	1.984	500	16	5/8"
432400	18	19	27	1.5	2.3	1.85	2.970	250	18	
433800	19	20	30	1.5	2.5	1.98	4.100	250		3/4"
435100	20	21	30	1.5	2.5	1.94	3.742	250	20	
436600	22	23	33	1.5	2.7	2.08	4.507	100	22	7/8"
437900	24	25.6	36	1.8	2.9	2.32	5.910	100	24	
439200	25.4	27	38	2	3.1	2.52	7.449	100		1"
440300	27	28.6	39	2	3.1	2.52	7.369	100	27	
441500	30	31.6	45	2	3.6	2.78	10.78	100	30	1 1/8"
442730	36	38	54	2.5	4.2	3.38	21.28	50	36	1 3/8"

- Article No.: Valid for normal execution (spring steel, hardened, blackened)
- h max.: Maximum dimension as delivered
- h min.: Minimum height after loading test
- Available materials: Spring steel as per DIN 17222; corrosion resistant steel 1.4301; spring bronze CuSn8.
- Available finishes: blackened, (Standard), browned, phosphated, zinc-plated, cadmium-plated



Official Dealer
MultiComponents International B.V.
www.multicomponents.nl

Original SCHNORR® -Safety Washers Type "VS"



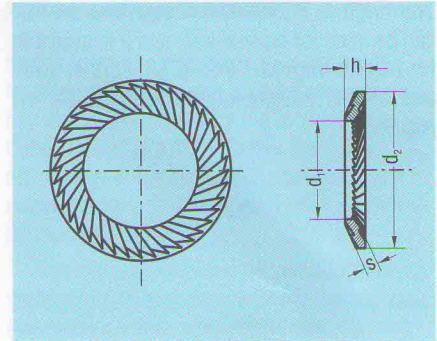
With higher thickness

The Original SCHNORR®-Safety Washers "VS" can be used with high-strength bolts of the grade 8.8 without any restrictions. The strengthened Safety Washer shows a greater thickness and this is why it achieves higher pretensioning loads. The outside and inside diameter as well as the toothing correspond to the type "S". It can be delivered for screws M 5 to M 30. Special sizes are also possible on request.

Advantages of the SCHNORR® Safety Washer for the surface

The Safety Washer VS loading test gives 100% data reliability. The Safety Washer VS is made of high quality steel.

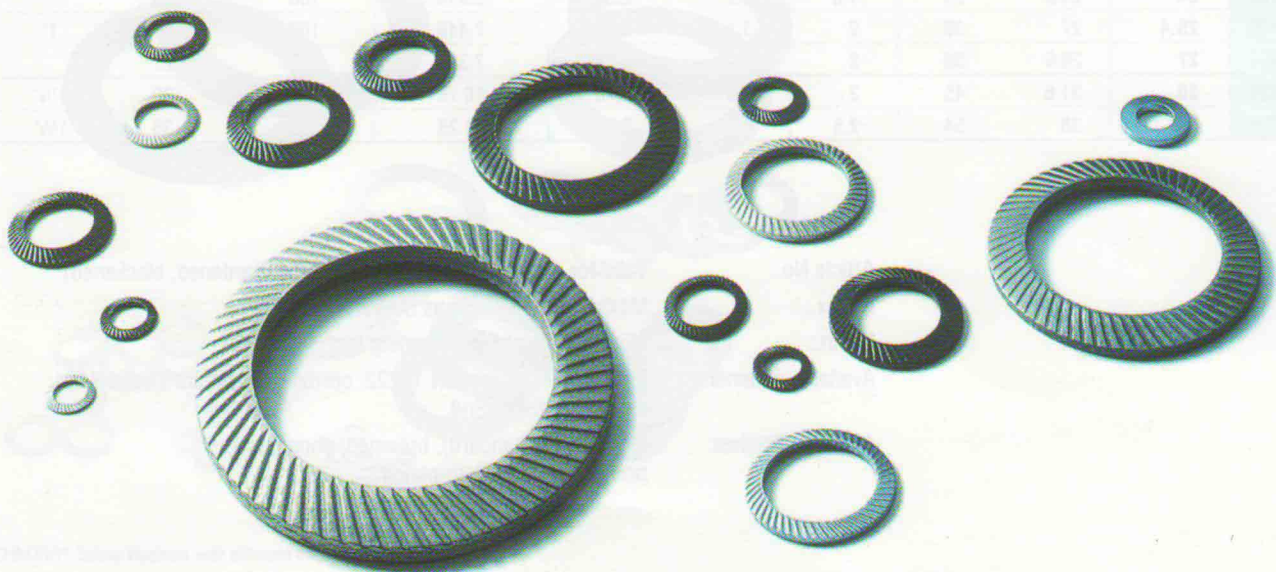
Designation for an Original SCHNORR® Safety Washer type "VS" size 16 of spring steel with a mechanically zinc-plated, yellow-chromated surface:
Safety Washer VS 16 FSt mech Zn8 cc.



Dimension table for "VS" Safety Washers

Article No.	Size (Nominal) [mm]	d ₁ H14 [mm]	d ₂ h14 [mm]	s [mm]	h max. [mm]	h min. [mm]	Weight (7.85 kg/dm ³) [kg/1000 pcs.]	Packaging [pcs. per box]	for bolts	
									metric [mm]	imperial [inch]
414600	5	5.3	9	1	1.3	1.07	0.273	1000	5	3/16"
416400	6	6.4	10	1	1.4	1.08	0.300	1000	6	
420500	8	8.4	13	1.2	1.7	1.32	0.615	1000	8	5/16"
423100	10	10.5	16	1.5	2	1.64	1.167	1000	10	3/8"
426300	12	13	18	1.5	2.1	1.65	1.223	500	12	
429200	14	15	22	1.5	2.2	1.76	2.089	500	14	9/16"
430800	16	17	24	2	2.6	2.21	3.142	250	16	5/8"
432500	18	19	27	2	2.7	2.27	4.041	250	18	
435300	20	21	30	2	2.8	2.34	5.066	250	20	
436700	22	23	33	2	3.0	2.42	6.117	100	22	7/8"
438000	24	25.6	36	2.5	3.4	2.87	8.865	100	24	
440400	27	28.6	39	2.5	3.5	2.91	9.731	100	27	
441600	30	31.6	45	2.5	3.8	3.12	14.380	100	30	1 1/8"

Article No.: Valid for normal execution (spring steel, hardened, blackened)
 h max.: Maximum dimension as delivered
 h min.: Minimum height after loading test
 Available materials: Spring steel as per DIN 17222; corrosion resistant steel 1.4301; spring bronze CuSn8.
 Available finishes: blackened, (Standard), browned, phosphated, zinc-plated, cadmium-plated



Official Dealer
 MultiComponents International B.V.
 www.multicomponents.nl