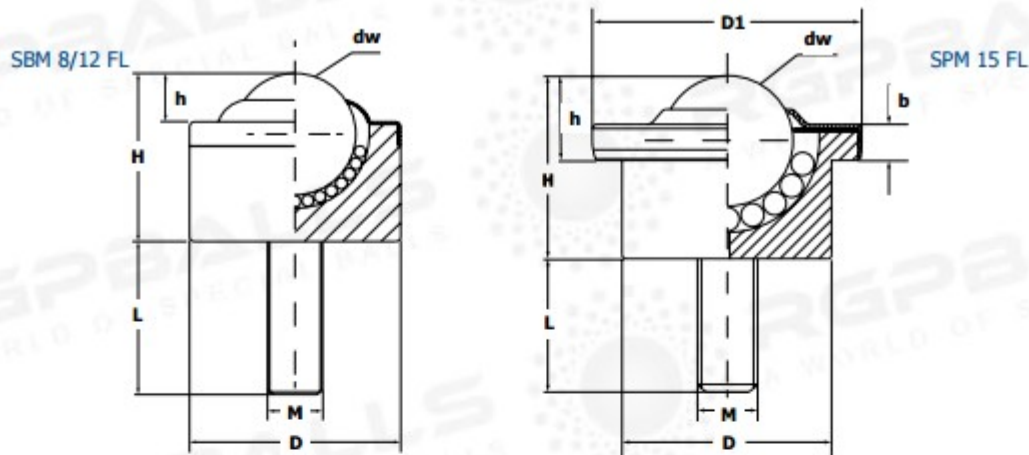


## "SBM-SPM" heavy duty type with threaded nut



- Housing made of machined from rod and hardened steel.
- Turned threaded stud available if required with a diameter and length different from the standard values listed on the table below.
- Pressed metal sheet cover cap.
- To guarantee the highest fluency even in presence of light loads, the felt sealing system is not present.
- Version with the big ball made of plastic material:
  - is particularly suitable to handle gentle surfaces as glass or crystal sheets, wood panels, painted or glazed pressed metal sheets, and so on;\*
  - usually they are not suitable in applications with the big ball downwards;\*
  - working temperatures 0°/60°.\*

TYPE	VERSION	DIMENSIONS								LOADING CAPACITY (Kg)		W. (Kg)
		dw	D	D1	h	H	b	M	L	$\frac{C}{1000}$	$\frac{C_0}{1000}$	
SBM 8 B FL	Body made of zinc plated steel, balls made of AISI 52100 chrome steel	8	18	-	2 ± 0,2	12	-	6	10 - 15	12	9	0,025
SBM 12 B FL		12	22	-	5 ± 0,2	17,5	-	8	15 - 20	20	15	0,045
SPM 15 B FL		15	24	31	9,5 ± 0,2	21	5,5	8	15 - 20	50	35	0,070
SBM 8 C FL	Body made of zinc plated steel, balls made of AISI 420C stainless steel	8	18	-	2 ± 0,2	12	-	6	10 - 15	10	7	0,025
SBM 12 C FL		12	22	-	5 ± 0,2	17,5	-	8	15 - 20	15	10	0,045
SPM 15 C FL		15	24	31	9,5 ± 0,2	21	5,5	8	15 - 20	40	25	0,070
SBM 8 SS FL	Body, components and all the balls made of AISI 420C stainless steel	8	18	-	2 ± 0,2	12	-	6	10 - 15	10	7	0,025
SBM 12 SS FL		12	22	-	5 ± 0,2	17,5	-	8	15 - 20	15	10	0,045
SPM 15 SS FL		15	24	31	9,5 ± 0,2	21	5,5	8	15 - 20	40	25	0,070
SBM 8 BD FL	Body made of zinc plated steel, big ball made of plastic*, small balls made of AISI 52100 chrome steel	8	18	-	2 ± 0,2	12	-	6	10 - 15	3	-	0,020
SBM 12 BD FL		12	22	-	5 ± 0,2	17,5	-	8	15 - 20	5	-	0,035
SPM 15 BD FL		15	24	31	9,5 ± 0,2	21	5,5	8	15 - 20	13	-	0,055
SBM 8 CD FL	Body made of zinc plated steel, big ball made of plastic*, small balls made of AISI 420C stainless steel	8	18	-	2 ± 0,2	12	-	6	10 - 15	3	-	0,020
SBM 12 CD FL		12	22	-	5 ± 0,2	17,5	-	8	15 - 20	5	-	0,035
SPM 15 CD FL		15	24	31	9,5 ± 0,2	21	5,5	8	15 - 20	13	-	0,055
SBM 8 SS CD FL	Body made of stainless steel, big ball made of plastic*, small balls made of AISI 420C stainless steel	8	18	-	2 ± 0,2	12	-	6	10 - 15	3	-	0,020
SBM 12 SS CD FL		12	22	-	5 ± 0,2	17,5	-	8	15 - 20	5	-	0,035
SPM 15 SS CD FL		15	24	31	9,5 ± 0,2	21	5,5	8	15 - 20	13	-	0,055