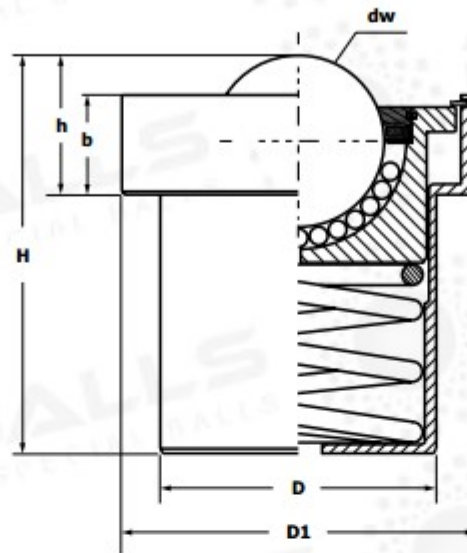


## Spring loaded "SPM" heavy duty type



- External housing in machined from rod and burnished steel.
- This type guarantees consistency and keep the main characteristics with use avoiding inflections typical of the pressed metal sheet.
- Fully machined, hardened and zinc plated steel inner ball transfer unit.
- Felt sealing system and drain hole at the bottom.
- Hardened and grinded spiral spring.
- Lockage of the ball transfer unit by means of the removable fixing ring, for facultative maintenance and/or replacement of the inner spring.

ARTICLE	TYPE	VERSION	DIMENSIONS						LOADING CAPACITY (Kg)	PRELOAD Kg.	TOLERANCE ON THE LOAD (%)	W. (Kg)
			dw	D	D1	h	H	b				
SPM02200AF	SPM 22 AF	Housing made of burnished steel, body made of zinc plated steel, balls made of AISI 52100 chrome steel	22	39 ± 0,1	50	18,5	58	14	80	7,5	+25/-7,5	0,36
SPM03000AF	SPM 30 AF		30	48,5 ± 1,2	62	24,5	70	17,5	150	13,5	+15/-7,5	0,68
SPM04500AF	SPM 45 AF		45	66,5 ± 1,5	85	36	100,5	25,5	215	23	+15/-7,5	1,90
SPM02200CF	SPM 22 CF	Housing made of burnished steel, body made of zinc plated steel, balls made of AISI 420C stainless steel	22	39 ± 0,1	50	18,5	58	14	80	7,5	+25/-7,5	0,36
SPM03000CF	SPM 30 CF		30	48,5 ± 1,2	62	24,5	70	17,5	150	13,5	+15/-7,5	0,68
SPM04500CF	SPM 45 CF		45	66,5 ± 1,5	85	36	100,5	25,5	215	23	+15/-7,5	1,90