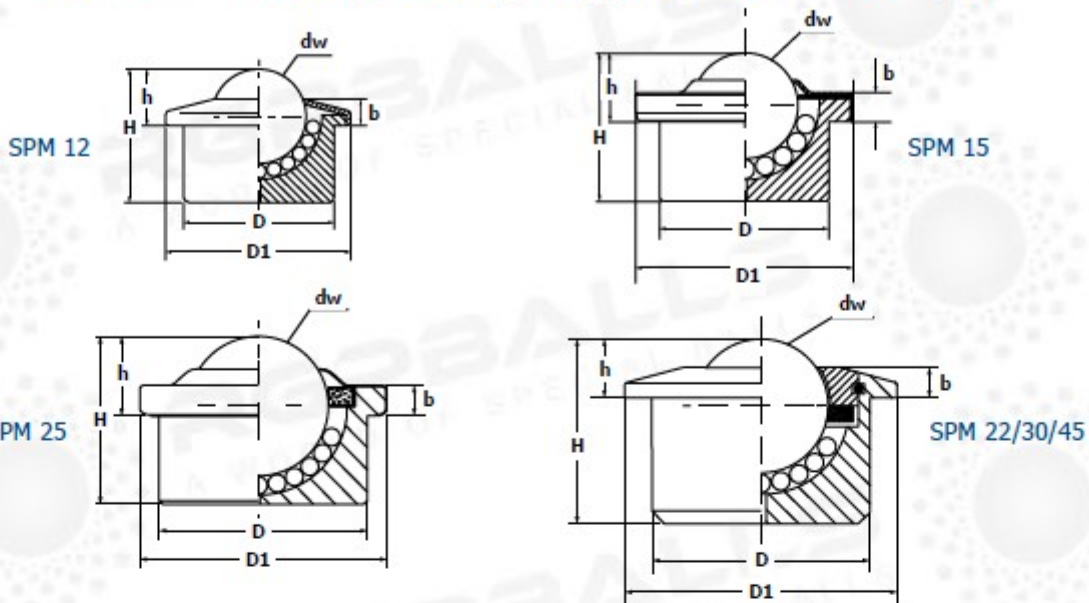

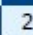


## “SPM” heavy duty type with flange



- Housing with flange made of machined from rod and hardened steel, to guarantee high load capacities and higher resistance to strong conditions.
- Reinforced cover cap made of machined steel (for SPM 12, 15 and 25 types made of pressed metal sheet).
- Felt sealing system (except for SPM 12 and 15).
- Drain hole at the bottom.

| ARTICLE    | TYPE      | VERSION   | DIMENSIONS |           |    |            |       |     | LOADING CAPACITY (Kg)   |   | W. (Kg) |
|------------|-----------|---|------------|-----------|----|------------|-------|-----|---|---|---------|
|            |           |   | dw         | D         | D1 | h          | H     | b   |  |  |         |
| SPM01200A  | SPM 12 A  | Body made of steel, balls made of AISI 52100 chrome steel               | 12         | 22 ± 0,08 | 27 | 8 ± 0,2    | 16,75 | 5   | 20  | 15  | 0,035   |
| SPM01500A  | SPM 15 A  |   | 15         | 24 ± 0,08 | 31 | 9,5 ± 0,2  | 21    | 5,5 | 50  | 35  | 0,060   |
| SPM02200A  | SPM 22 A  |   | 22         | 36 ± 0,08 | 45 | 9,8 ± 0,2  | 30,5  | 4,5 | 180   | 125   | 0,185   |
| SPM02500A  | SPM 25 A  |   | 25         | 38 ± 0,08 | 45 | 14 ± 0,3   | 30,2  | 8,5 | 180   | 125   | 0,195   |
| SPM03000A  | SPM 30 A  |   | 30         | 45 ± 0,08 | 55 | 13,8 ± 0,3 | 36,8  | 8   | 350   | 250   | 0,355   |
| SPM04500A  | SPM 45 A  |   | 45         | 62 ± 0,1  | 75 | 19 ± 0,4   | 53,5  | 10  | 600   | 420   | 0,990   |
| SPM01200B  | SPM 12 B  | Body made of zinc plated steel, balls made of AISI 52100 chrome steel   | 12         | 22 ± 0,08 | 27 | 8 ± 0,2    | 16,75 | 5   | 20  | 15  | 0,035   |
| SPM01500B  | SPM 15 B  |   | 15         | 24 ± 0,08 | 31 | 9,5 ± 0,2  | 21    | 5,5 | 50  | 35  | 0,060   |
| SPM02200B  | SPM 22 B  |   | 22         | 36 ± 0,08 | 45 | 9,8 ± 0,2  | 30,5  | 4,5 | 180   | 125   | 0,185   |
| SPM02500B  | SPM 25 B  |   | 25         | 38 ± 0,08 | 45 | 14 ± 0,3   | 30,2  | 8,5 | 180   | 125   | 0,195   |
| SPM03000B  | SPM 30 B  |   | 30         | 45 ± 0,08 | 55 | 13,8 ± 0,3 | 36,8  | 8   | 350   | 250   | 0,355   |
| SPM04500B  | SPM 45 B  |   | 45         | 62 ± 0,1  | 75 | 19 ± 0,4   | 53,5  | 10  | 600   | 420   | 0,990   |
| SPM01200C  | SPM 12 C  | Body made of zinc plated steel, balls made of AISI 420C stainless steel | 12         | 22 ± 0,08 | 27 | 8 ± 0,2    | 16,75 | 5   | 15  | 10  | 0,035   |
| SPM01500C  | SPM 15 C  |   | 15         | 24 ± 0,08 | 31 | 9,5 ± 0,2  | 21    | 5,5 | 40  | 25  | 0,060   |
| SPM02200C  | SPM 22 C  |   | 22         | 36 ± 0,08 | 45 | 9,8 ± 0,2  | 30,5  | 4,5 | 130   | 90  | 0,185   |
| SPM02500C  | SPM 25 C  |   | 25         | 38 ± 0,08 | 45 | 14 ± 0,3   | 30,2  | 8,5 | 130   | 90  | 0,195   |
| SPM03000C  | SPM 30 C  |   | 30         | 45 ± 0,08 | 55 | 13,8 ± 0,3 | 36,8  | 8   | 240   | 170   | 0,355   |
| SPM04500C  | SPM 45 C  |   | 45         | 62 ± 0,1  | 75 | 19 ± 0,4   | 53,5  | 10  | 400   | 280   | 0,990   |
| SPM01200SS | SPM 12 SS | Body, components and all the balls made of AISI 420C stainless steel    | 12         | 22 ± 0,08 | 27 | 8 ± 0,2    | 16,75 | 5   | 15  | 10  | 0,035   |
| SPM01500SS | SPM 15 SS |   | 15         | 24 ± 0,08 | 31 | 9,5 ± 0,2  | 21    | 5,5 | 40  | 25  | 0,060   |
| SPM02200SS | SPM 22 SS |   | 22         | 36 ± 0,08 | 45 | 9,8 ± 0,2  | 30,5  | 4,5 | 130   | 90  | 0,185   |
| SPM02500SS | SPM 25 SS |   | 25         | 38 ± 0,08 | 45 | 14 ± 0,3   | 30,2  | 8,5 | 130   | 90  | 0,195   |
| SPM03000SS | SPM 30 SS |   | 30         | 45 ± 0,08 | 55 | 13,8 ± 0,3 | 36,8  | 8   | 240   | 170   | 0,355   |
| SPM04500SS | SPM 45 SS |   | 45         | 62 ± 0,1  | 75 | 19 ± 0,4   | 53,5  | 10  | 400   | 280   | 0,990   |