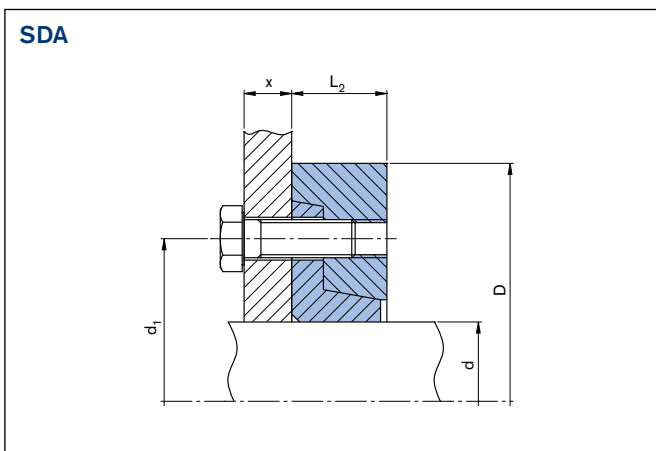
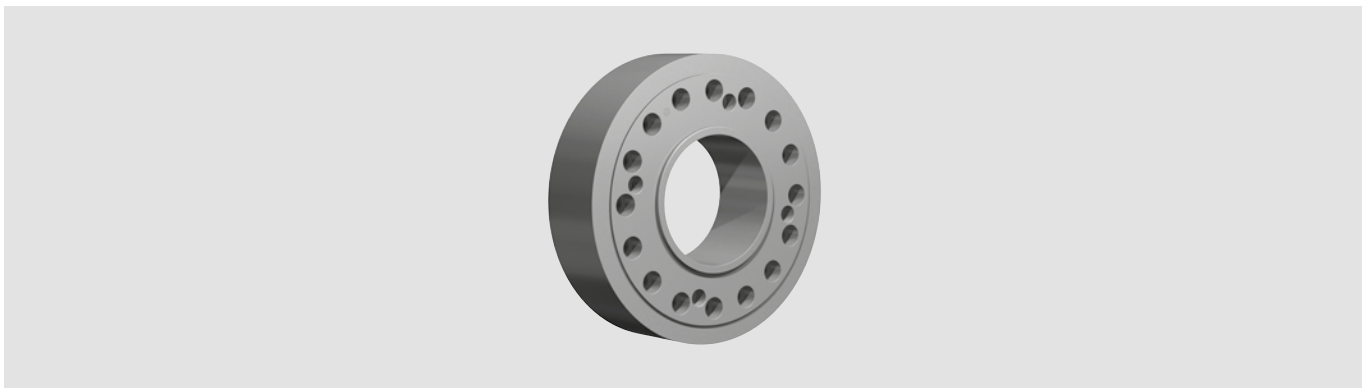


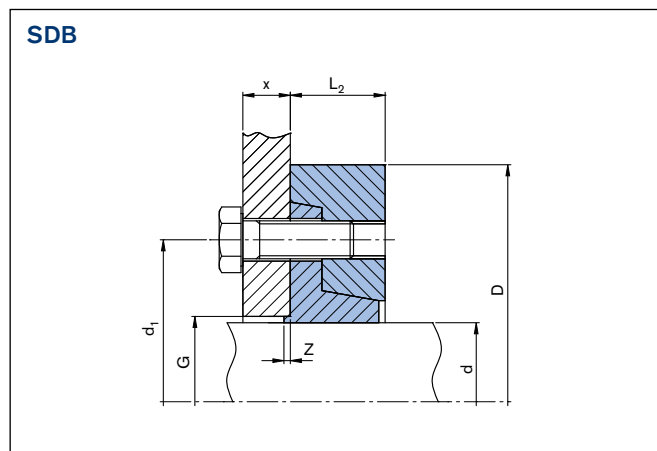
RINGFEDER® Shrink Discs

# RfN 4022

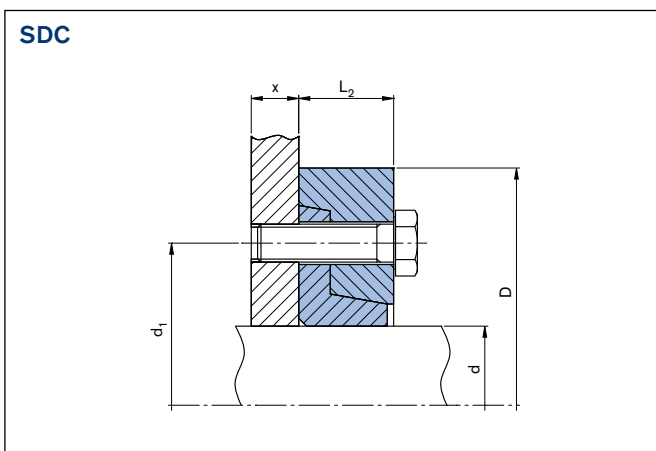
Standard Series



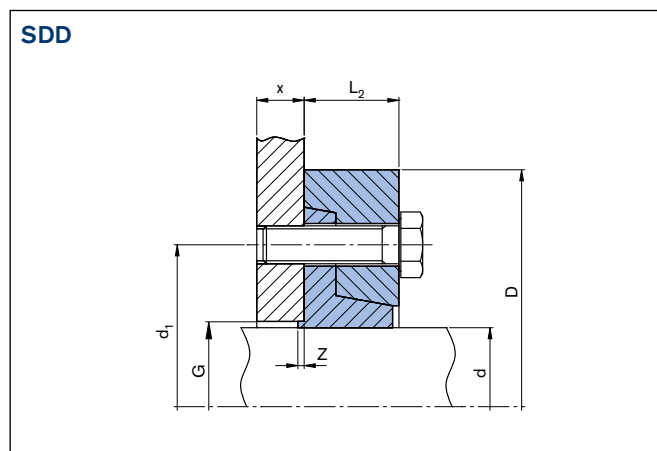
RfN 4022 configuration SDA · Thread in shrink disc without centering



RfN 4022 configuration SDB · Thread in shrink disc with centering



RfN 4022 configuration SDC · Through boring in shrink disc without centering



RfN 4022 configuration SDD · Through boring in shrink in shrink disc with centering

**RINGFEDER® Shrink Discs**

**RfN 4022**

Standard Series

<b>d</b> = Inner ring diameter	<b>L<sub>2</sub></b> = Thrust ring width	<b>n<sub>Sc</sub></b> = Quantity of locking screws
<b>D</b> = Outer diameter	<b>Z</b> = Depth of center value	<b>D<sub>G</sub></b> = Thread
<b>d<sub>1</sub></b> = Pitch circle diameter	<b>T<sub>A</sub></b> = Max tightened torque of the screws	<b>Gw</b> = Weight
<b>G</b> = Center diameter	<b>T</b> = Transmissible torque at given T <sub>A</sub>	

Type	Shrink discs dimensions							T <sub>A</sub> <sup>1)</sup> Nm	Transmissible torques T Nm	Locking screws <sup>1)</sup> ISO 4014/4017 - 10.9		Gw kg
	d	x	D	d <sub>1</sub>	G <sup>2)</sup>	L <sub>2</sub>	Z			n <sub>Sc</sub>	D <sub>G</sub>	
	mm			mm	mm	mm	mm					
12 SD-x	11	x	35,5	24	14	10	1,5	12	50	3	M6	0,1
	12								50			
	--								--			
14 SD-x	13	x	38	26	16	10	1,5	12	70	3	M6	0,1
	14								70			
	--								--			
16 SD-x	15	x	41	28	18	14	2	12	80	3	M6	0,1
	16								80			
	--								--			
18 SD-x	17	x	44	30	20	14	2	12	130	4	M6	0,1
	18								130			
	--								--			
20 SD-x	19	x	47	32	22	15	2	12	140	4	M6	0,2
	20								140			
	--								--			
25 SD-x	22	x	50	36	27	19	2	12	200	5	M6	0,2
	24								200			
	25								200			
30 SD-x	26	x	60	44	32	19	3	12	300	6	M6	0,3
	28								300			
	30								300			
35 SD-x	32	x	72	52	38	21	3	30	450	5	M8	0,5
	35								500			
	36								500			
40 SD-x	38	x	80	61	46	23	3	30	720	6	M8	0,6
	40								750			
	44								750			
50 SD-x	42	x	90	68	53	25	3	30	1.000	8	M8	0,9
	45								1.300			
	50								1.300			
55 SD-x	45	x	100	72	58	27	3	30	1.600	8	M8	1,2
	52								1.600			
	55								1.600			
60 SD-x	50	x	110	80	63	27	3	30	2.000	9	M8	1,4
	60								2.000			
	62								2.000			
70 SD-x	60	x	115	86	74	27	4	30	2.100	9	M8	1,4
	65								2.100			
	70								2.100			
80 SD-x	70	x	138	100	84	29	4	59	4.000	10	M10	2,2
	75								4.000			
	80								4.000			
90 SD-x	80	x	155	114	94	35	4	59	5.700	12	M10	3,4
	85								5.700			
	90								5.700			

To continue see next page

**RINGFEDER® Shrink Discs**

**RfN 4022**

Standard Series

Type	Shrink discs dimensions						T <sub>A</sub> <sup>1)</sup>	Transmissible torques T	Locking screws <sup>1)</sup> ISO 4014/4017 - 10.9		G <sub>w</sub>
	d	x	D	d <sub>1</sub>	G <sup>2)</sup>	L <sub>2</sub>			Z	n <sub>Sc</sub>	
	mm			mm	mm	mm	mm	Nm			kg
100 SD-x	90							8.400	12	M12	5
	95	x	170	124	104	40	4	8.400			
	100							8.400			
110 SD-x	100							9.200	12	M12	6
	105	x	185	136	116	47	5	9.200			
	110							9.200			
125 SD-x	115							20.000	12	M16	9
	120	x	215	160	126	50	5	21.000			
	125							21.000			
140 SD-x	130							26.000	14	M16	11
	135	x	230	172	146	54	5	26.000			
	140							26.000			
155 SD-x	150							31.000	15	M16	15
	155	x	263	192	166	58	5	31.000			
	160							31.000			
170 SD-x	160							36.000	16	M16	21
	165	x	290	204	176	62	5	36.000			
	170							36.000			
180 SD-x	170							43.000	18	M16	22
	175	x	300	218	186	62	5	43.000			
	180							43.000			
190 SD-x	180							60.000	15	M20	32
	185	x	320	232	196	79	5	60.000			
	190							60.000			
200 SD-x	190							67.000	16	M20	37
	195	x	340	246	206	79	5	67.000			
	200							67.000			
220 SD-x	200							93.000	14	M24	53
	210	x	370	270	226	98	5	93.000			
	220							93.000			
240 SD-x	220							117.000	16	M24	66
	230	x	405	296	246	101	5	117.000			
	240							117.000			
260 SD-x	240							126.000	16	M24	80
	250	x	430	318	266	112	5	126.000			
	260							126.000			
280 SD-x	260							151.000	18	M24	103
	270	x	460	340	286	126	5	151.000			
	280							151.000			
300 SD-x	280							178.000	20	M24	116
	290	x	485	360	306	130	5	178.000			
	300							178.000			
320 SD-x	280							248.000	20	M27	134
	300	x	520	380	330	130	5	248.000			
	320							248.000			
340 SD-x	300							275.000	21	M27	185
	320	x	570	402	350	144	5	275.000			
	340							275.000			
360 SD-x	320							290.000	21	M27	172
	340	x	590	424	370	144	8	290.000			
	360							290.000			

To continue see next page

RINGFEDER® Shrink Discs

RfN 4022

Standard Series

Type	Shrink discs dimensions						T <sub>A</sub> <sup>1)</sup>	Transmissible torques T	Locking screws <sup>1)</sup>		G <sub>w</sub>
	d	x	D	d <sub>1</sub>	G <sup>2)</sup>	L <sub>2</sub>			Z	ISO 4014/4017 - 10.9 n <sub>Sc</sub>	
	mm			mm	mm	mm	mm	Nm			kg
390 SD-x	350							363.000			
	370	x	630	458	400	148	8	363.000	20	M30	222
	390							363.000			
420 SD-x	380							407.000			
	400	x	650	490	430	168	8	407.000	21	M30	253
	420							407.000			
440 SD-x	400							426.000			
	420	x	670	512	450	176	8	426.000	21	M30	275
	440							426.000			

Ordering examples: RfN 4022

Series	Type	d
RfN 4022	40 SDA	40
RfN 4022	40 SDB	40
RfN 4022	40 SDC	40
RfN 4022	40 SDD	40

x = Configuration

- SDA = Thread in shrink disc without centering
- SDB = Thread in shrink disc with centering
- SDC = Through boring in shrink disc without centering
- SDD = Through boring in shrink disc with centering

<sup>1)</sup> Shrink discs delivered without screws. Tightening torques for screws see table

<sup>2)</sup> The bore tolerance of the customer component should be within the fit tolerance G6 and H7

- Surface finishes for shaft R<sub>a</sub> ≤ 3,2 μm
- Tolerances for shaft h9
- When using a hollow shaft instead of a solid shaft please contact our Engineering-Team

Subject to technical change.