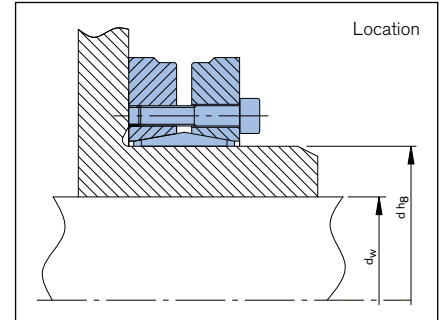
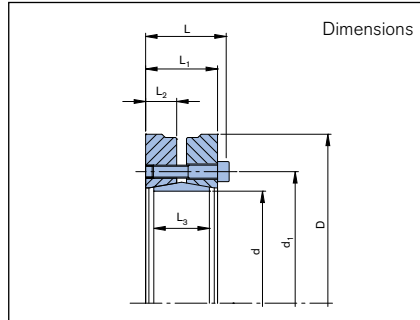


RINGFEDER® Shrink Discs

# RfN 4061

Standard Series stainless steel



<b>d</b> = Inner ring diameter	<b>L<sub>3</sub></b> = Width of ring	<b>G<sub>w</sub></b> = Weight
<b>D</b> = Outer diameter	<b>T<sub>A</sub></b> = Max tightened torque of the screws	<b>σ<sub>v</sub></b> = Equivalent stress in the hub
<b>d<sub>w</sub></b> = Solid shaft diameter	<b>T</b> = Transmissible torque at given T <sub>A</sub>	Calculated combined stress in the hub
<b>d<sub>1</sub></b> = Pitch circle diameter	<b>F<sub>ax</sub></b> = Transmissible axial force	extension (d/d <sub>w</sub> ) under consideration of the
<b>L</b> = Overall width	<b>P</b> = Hub surface pressure	tangential, radial and torsional stresses.
<b>L<sub>1</sub></b> = Overall width without screws	<b>n<sub>Sc</sub></b> = Quantity of locking screws	<b>T<sub>max</sub></b> = Max. transmissible torque
<b>L<sub>2</sub></b> = Thrust ring width	<b>D<sub>G</sub></b> = Thread	

Shrink discs dimensions								Transmissible torques or axial forces				High-strength special screws ISO 4762					
d	x	D	d <sub>w</sub>	d <sub>1</sub>	L	L <sub>1</sub>	L <sub>2</sub>	L <sub>3</sub>	T <sub>A</sub>	T	F <sub>ax</sub>	P	σ <sub>v</sub>	n <sub>Sc</sub>	D <sub>G</sub>	G <sub>w</sub>	T <sub>max</sub>
mm		mm	mm	mm	mm	mm	mm	mm	Nm	Nm	kN	N/mm <sup>2</sup>	N/mm <sup>2</sup>			kg	Nm
14	x	37	10	24	14,8	12	5	9	2,4	30	8	278	415	3	M4	0,1	37,5
			37							8	474		46				
			48							10	557		60				
16	x	41	12	27	18,5	15	6,25	12	4	70	15	336	509	4	M5	0,1	90
			90							18	575		110				
			110							20	774		130				
18	x	44	14	29	18,5	15	6,25	12	4	90	16	299	459	4	M5	0,2	110
			100							18	523		130				
			120							20	705		160				
20	x	46	15	32	21	17,5	7	12	4	110	20	336	462	5	M5	0,2	140
			140							22	497		170				
			160							24	580		200				
21	x	50	16	36	22,5	19	8	15	5	200	31	384	534	6	M5	0,2	250
			230							34	602		290				
			260							37	746		330				
24	x	50	19	36	22,5	19	8	15	5	240	32	336	495	6	M5	0,2	300
			270							35	554		340				
			300							38	679		390				
30	x	60	24	41,5	26	22,5	9,5	18	5	350	38	261	390	7	M5	0,2	450
			400							41	426		500				
			440							43	492		560				
36	x	72	28	52	27,5	23,5	10	18	12	590	53	303	390	5	M6	0,5	730
			690							58	438		860				
			700							58	536		890				
38	x	72	29	55	30	26	10,5	21	12	700	62	295	378	6	M6	0,5	890
			770							65	394		970				
			780							63	474		980				

To continue see next page

**RINGFEDER® Shrink Discs**

**RfN 4061**

Standard Series stainless steel

Shrink discs dimensions								Transmissible torques or axial forces				High-strength special screws					
d	x	D	d <sub>w</sub>	d <sub>1</sub>	L	L <sub>1</sub>	L <sub>2</sub>	L <sub>3</sub>	T <sub>A</sub>	T	F <sub>ax</sub>	P	σ <sub>v</sub>	ISO 4762		G <sub>w</sub>	T <sub>max</sub>
mm			mm	mm	mm	mm	mm	mm	Nm	Nm	kN	N/mm <sup>2</sup>	N/mm <sup>2</sup>	n <sub>Sc</sub>	D <sub>G</sub>	kg	Nm
40	x	72	30	57	28,5	24,5	10,5	19	12	720	61	310	375	6	M6	0,5	900
			31							730	59		450				910
			32							790	62		460				990
44	x	80	32	63	30	26	11	20	12	800	63	312	429	7	M6	0,5	1.000
			35							1.000	73		444				1.250
			36							1.050	76		458				1.350
48	x	80	36	68	30	26	11	22	12	900	65	260	371	7	M6	0,6	1.150
			38							1.050	72		380				1.350
			40							1.200	78		403				1.550
50	x	90	38	70	31,5	27,5	12	22,5	12	1.350	89	314	418	9	M6	0,9	1.650
			40							1.500	96		433				1.900
			42							1.700	103		467				2.150
55	x	100	42	75	34,5	30,5	13	23	12	1.300	78	248	343	8	M6	1,1	1.600
			45							1.550	87		359				1.950
			48							1.800	96		410				2.300
62	x	110	48	86	34,5	30,5	13	23	12	2.400	126	330	407	12	M6	1,3	3.000
			50							2.650	133		419				3.300
			52							2.800	136		482				3.500
68	x	115	50	86	34,5	30,5	13	23,5	12	1.900	95	245	314	10	M6	1,4	2.350
			55							2.250	104		367				2.850
			60							2.850	121		411				3.600
75	x	138	55	100	37,8	32,5	14	25	30	2.650	121	277	377	7	M8	2,3	3.300
			60							3.300	139		382				4.150
			65							4.050	158		416				5.100
80	x	145	60	100	37,8	32,5	14	25	30	3.200	126	259	353	7	M8	2,5	4.000
			65							3.900	143		358				4.900
			70							4.600	160		392				5.750
85	x	155	60	114	45,8	40,5	16	30	30	4.850	189	325	404	11	M8	3,5	6.050
			65							5.800	212		407				7.250
			70							6.800	235		427				8.500
90	x	155	65	114	44,5	39	17	30	30	4.800	174	274	353	10	M8	3,3	6.000
			70							6.050	195		356				7.550
			75							7.300	215		372				9.150
95	x	170	65	127	52,5	47,2	19	34	30	5.350	195	275	349	12	M8	4,7	6.700
			70							6.750	217		349				8.450
			75							8.150	240		355				10.200
100	x	170	70	127	52,5	47,2	19	34	30	6.950	202	261	331	12	M8	4,5	8.700
			75							7.600	223		331				9.500
			80							9.100	245		338				11.350
110	x	185	75	145	59,4	53	23	42	59	8.150	259	254	316	10	M10	6,3	10.150
			80							10.100	285		316				12.600
			85							12.200	296		357				15.250
115	x	185	80	145	62,4	56	23	42	59	9.500	267	243	302	10	M10	6,1	11.850
			90							12.100	302		342				15.100
			95							14.050	329		353				17.550
125	x	215	85	160	60,4	54	23	42	59	11.050	300	269	354	12	M10	8,7	13.800
			90							13.100	327		352				16.350
			95							15.150	355		352				18.950
140	x	230	95	175	68	60,5	26	46	100	15.100	365	263	336	10	M12	10,6	18.850
			100							17.550	395		335				21.900
			105							20.000	424		335				25.000
165	x	290	115	210	81	71	31	56	250	31.400	601	280	334	8	M16	21,7	39.300
			120							35.500	637		335				44.400
			125							39.400	664		348				49.250

To continue see next page

**RINGFEDER® Shrink Discs**

**RfN 4061**

Standard Series stainless steel

Shrink discs dimensions								Transmissible torques or axial forces				High-strength special screws					
d	x	D	d <sub>w</sub>	d <sub>1</sub>	L	L <sub>1</sub>	L <sub>2</sub>	L <sub>3</sub>	T <sub>A</sub>	T	F <sub>ax</sub>	P	σ <sub>v</sub>	ISO 4762		G <sub>w</sub>	T <sub>max</sub>
mm			mm	mm	mm	mm	mm	mm	Nm	Nm	kN	N/mm <sup>2</sup>	N/mm <sup>2</sup>	n <sub>Sc</sub>	D <sub>G</sub>	kg	Nm
185	x	330	135	236	96,4	86,4	38,2	71	250	52.500	786	246	307	10	M16	36	65.600
			140							57.350	828						71.650
			145							62.400	870						78.000
195	x	350	140	246	96	86	38,2	71	250	65.950	943	280	332	12	M16	40	82.450
			150							77.600	1.035						97.000
			155							83.750	1.081						104.700
200	x	350	150	246	96	86	38,2	71	250	75.000	1.000	273	326	12	M16	39	93.750
			155							81.000	1.045						101.200
			160							87.200	1.091						109.000

Ordering example: RfN 4061

Series	d	D	Version
RfN 4061	96	170	SST

SST = Stainless steel

- Surface finishes for shaft R<sub>a</sub> ≤ 3,2 μm
- Tolerances for shaft see table
- When using a hollow shaft instead of a solid shaft please contact our Engineering-Team

d <sub>w</sub>		ISO	max. Clearance S mm
above	up to		
6	10	H6/j6	0,011
10	18		0,014
18	30		0,017
30	50	H6/h6	0,032
50	80	H6/g6	0,048
80	120	H7/g6	0,069
120	180		0,079
180	250		0,090
250	315		0,101
315	400		0,111
400	500		0,123
500	630		0,136
630	800	0,154	

Subject to technical change.