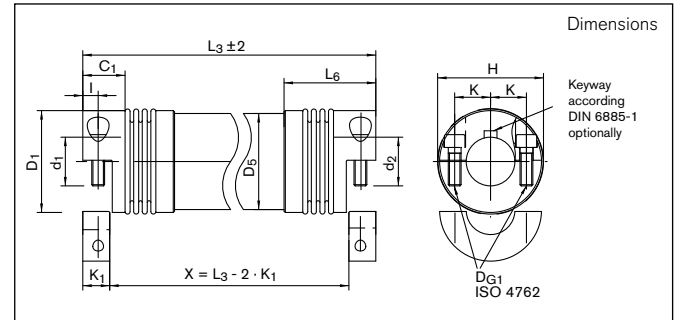
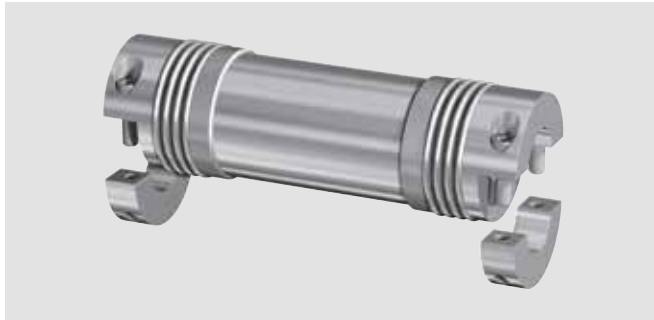


Backlash-free Line shafts

# GERWAH® GWZ 5106



**Dimensions**

- |   |   |   |
|---|---|---|
| <b>d<sub>1</sub>, d<sub>2min</sub></b> = Min. bore diameter                                     | <b>C<sub>1</sub></b> = Guided length in hub boring          | <b>K</b> = Distance shaft axis - clamping screw axis  |
| <b>d<sub>1</sub>, d<sub>2max</sub></b> = Max. bore diameter                                     | <b>D<sub>1</sub></b> = Outer diameter hub                   | <b>K<sub>1</sub></b> = Clamping length                |
| <b>d<sub>1k</sub>, d<sub>2kmin</sub></b> = Min. bore diameter with keyway<br>acc. to DIN 6885-1 | <b>D<sub>5</sub></b> = Tube diameter                        | <b>L<sub>3min</sub></b> = Min. length of inside shaft |
| <b>d<sub>1k</sub>, d<sub>2kmax</sub></b> = Max. bore diameter with keyway<br>acc. to DIN 6885-1 | <b>H</b> = Clearance diameter                               | <b>L<sub>3max</sub></b> = Max. length of inside shaft |
|   | <b>I</b> = Distance between clamping screw hole and hub end | <b>L<sub>6</sub></b> = Length of basic part           |

Size	d <sub>1</sub> ; d <sub>2</sub> min-max		d <sub>1k</sub> ; d <sub>2k</sub> min-max		C <sub>1</sub>	D <sub>1</sub>	D <sub>5</sub>	H	I	K	K <sub>1</sub>	L <sub>3</sub> min-max	L <sub>6</sub>
	Without keyway	With keyway	Without keyway	With keyway									
mm													
18	8 - 25	8 - 22	8 - 22	8 - 22	20	45	40	47,5	6	17,5	11	132 - 3000	53
30	10 - 25	10 - 22	10 - 22	10 - 22	24,5	55	50	56	8	20	15	130 - 3000	52
60	12 - 35	12 - 29	12 - 29	12 - 29	29	64	60	66,5	10	23,5	19	165 - 3000	64
150	14 - 40	14 - 36	14 - 36	14 - 36	33	80	80	83	12	28	21	196 - 3000	72
200	22 - 44	22 - 38	22 - 38	22 - 38	37,5	90	90	92	13	31	24	218 - 3000	80
300	24 - 48	24 - 42	24 - 42	24 - 42	37,5	110	100	110	13	39	24	220 - 3000	83
500	35 - 62	35 - 54	35 - 54	35 - 54	41	119	114	122	15	43	27,5	250 - 3000	90

Transmission of the couplings transmissible torque T can not longer be guaranteed for certain with borings < d<sub>min</sub>. Types with borings < d<sub>min</sub>, however, can be supplied.

Moment of inertia and weight (mass) are calculated with reference to the largest bore size.

To continue see next page

**Backlash-free Line shafts**
**GERWAH® GWZ 5106**
**Technical Data**

**T** = Transmissible torque at given  $T_A$        **$\Delta K_w$**  = Max. permissible angularly misalignment       **$T_{A1}$**  = Tightened torque of clamping screw (G1)  
**c (pro m)** = Torsional stiffness of extension tube       **$D_{G1}$**  = Thread diameter

Size	T	C (pro m)	$\Delta K_w$	$D_{G1}$	$T_{A1}$
	Nm	Nm/rad	Degree	mm	Nm
18	22	4006	1	1 x M5	6
30	36	9781	1	1 x M6	12
60	75	22600	1	1 x M8	30
150	180	47169	1	1 x M10	85
200	240	75797	1	1 x M12	100
300	360	314399	1	1 x M12	120
500	600	364503	1	1 x M14	190

**Transmissible torque T [Nm]**

Size	$\varnothing 8$	$\varnothing 9$	$\varnothing 10$	$\varnothing 11$	$\varnothing 12$	$\varnothing 14$	$\varnothing 15$	$\varnothing 18$	$\varnothing 20$	$\varnothing 22$	$\varnothing 24$	$\varnothing 25$	$\varnothing 28$	$\varnothing 30$	$\varnothing 35$	$\varnothing 40$	$\varnothing 45$	$\varnothing 50$	$\varnothing 55$	$\varnothing 60$	$\varnothing 64$
18	13,6	15,3	17	18,7	20,4	22	22	22	22	22	22	22	---	---	---	---	---	---	---	---	---
30	---	---	28	30	33	36	36	36	36	36	36	36	36	36	---	---	---	---	---	---	---
60	---	---	---	---	62	73	75	75	75	75	75	75	75	75	75	---	---	---	---	---	---
150	---	---	---	---	---	167	180	180	180	180	180	180	180	180	180	180	---	---	---	---	---
200	---	---	---	---	---	---	---	---	---	240	240	240	240	240	240	240	240	---	---	---	---
300	---	---	---	---	---	---	---	---	---	---	342	360	360	360	360	360	360	360	360	360	---
500	---	---	---	---	---	---	---	---	---	---	---	---	---	---	600	600	600	600	600	600	600

**Ordering example: GWZ 5106**

Series/Size	Total length	Bore diameter $d_1$	Bore diameter $d_2$	Further details
GWZ 5106 18	500	10	25	*

\* Keyway or stainless steel

Subject to technical changes.