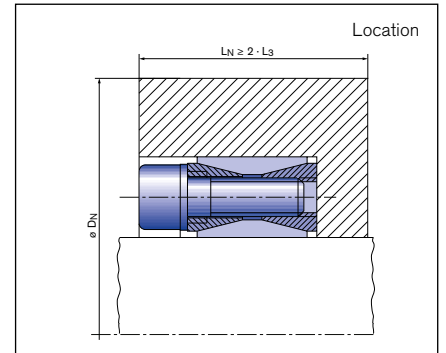
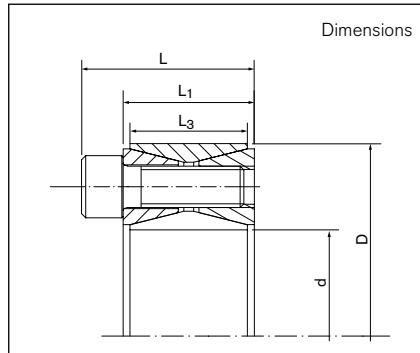


RINGFEDER® Locking Assemblies

RfN 7012

stainless



d = Inner diameter	F_{ax} = Transmissible axial force	G_w = Weight
D = Outer diameter	p_w = Surface pressure on shaft at given T _A	D_N = Min. hub outer diameter depending of the hub yield strength
L = Overall width	p_N = Surface pressure on hub at given T _A	R_{p0,2} = Minimum required yield point of hub material
L₁ = Overall width without screws	n_{Sc} = Quantity of screws	T_{max} = Maximum transmissible torque
L₃ = Width of inner ring	D_G = Thread	
T = Transmissible torque at given T _A	T_A = Maximum tightened torque of the screws	

Locking Assembly dimensions				Transmissible torques or axial forces		Surface pressure		High-strength special screws ISO 4762			min. D _N R _{p0,2} [N/mm ²]				
d × D	L	L ₁	L ₃	T	F _{ax}	p _w	p _N	n _{Sc}	D _G	T _A	G _w	200 300 400			T _{max}
mm	mm	mm	mm	Nm	kN	N/mm ²				Nm	kg	mm			Nm
19 x 47	27,5	20	17	252	27	218	88	8	M 6 x 18	14	0,24	63	57	55	269
20 x 47	27,5	20	17	265	26	206	88	8	M 6 x 18	14	0,24	63	57	55	320
22 x 47	27,5	20	17	289	26	187	88	8	M 6 x 18	14	0,23	63	57	55	350
24 x 50	27,5	20	17	353	29	191	92	9	M 6 x 18	14	0,26	67	61	58	428
25 x 50	27,5	20	17	367	29	183	92	9	M 6 x 18	14	0,25	67	58	61	445
28 x 55	27,5	20	17	408	29	162	83	9	M 6 x 18	14	0,3	72	66	63	495
30 x 55	27,5	20	17	435	29	151	83	9	M 6 x 18	14	0,29	72	66	63	528
32 x 60	27,5	20	17	617	39	188	100	12	M 6 x 18	14	0,34	83	75	71	748
35 x 60	27,5	20	17	671	38	171	100	12	M 6 x 18	14	0,32	83	75	71	815
38 x 65	27,5	20	17	906	48	196	114	15	M 6 x 18	14	0,36	94	83	78	1100
40 x 65	27,5	20	17	950	48	185	114	15	M 6 x 18	14	0,34	94	83	78	1153
42 x 75	33,5	24	20	1509	72	227	127	12	M 8 x 22	35	0,6	113	98	92	1767
45 x 75	33,5	24	20	1610	72	211	127	12	M 8 x 22	35	0,57	113	98	92	1885
48 x 80	33,5	24	20	1710	71	197	118	12	M 8 x 22	35	0,62	117	103	97	2003
50 x 80	33,5	24	20	1777	71	189	118	12	M 8 x 22	35	0,6	117	103	97	2081
55 x 85	33,5	24	20	2267	82	199	129	14	M 8 x 22	35	0,63	129	112	104	2655
60 x 90	33,5	24	20	2460	82	181	121	14	M 8 x 22	35	0,69	133	116	109	2880
65 x 95	33,5	24	20	3030	93	190	130	16	M 8 x 22	35	0,73	144	125	117	3550
70 x 110	39,5	28	24	4581	131	207	132	14	M 10 x 25	70	1,26	168	145	135	5431
75 x 115	39,5	28	24	4887	130	192	125	14	M 10 x 25	70	1,33	172	150	140	5795
80 x 120	39,5	28	24	5192	130	179	120	14	M 10 x 25	70	1,4	176	154	145	6155
85 x 125	39,5	28	24	6281	148	192	131	16	M 10 x 25	70	1,49	190	164	153	7446
90 x 130	39,5	28	24	6627	147	181	125	16	M 10 x 25	70	1,53	194	169	158	7856

To continue see next page

RINGFEDER® Locking Assemblies

RfN 7012

stainless

Locking Assembly dimensions				Transmissible torques or axial forces		Surface pressure		High-strength special screws ISO 4762				min. D _N R _{p0,2} [N/mm ²]			T _{max}		
d x D	L	L ₁	L ₃	T	F _{ax}	Shaft p _w	Hub p _N	n _{Sc}	D _G		T _A	G _w	200	300		400	
mm	mm	mm		Nm	kN	N/mm ²					Nm	kg	mm			Nm	
95 x 135	39,5	28	24	7843	165	192	135	18	M 10	x	25	70	1,62	209	179	167	7856
100 x 145	47	33	26	9591	192	196	135	14	M 12	x	30	125	2,01	224	192	179	11125
110 x 155	47	33	26	10488	191	177	126	14	M 12	x	30	125	2,15	231	201	189	12165
120 x 165	47	33	26	13004	217	184	134	16	M 12	x	30	125	2,35	254	218	203	20325
130 x 180	52	38	34	17522	270	162	117	20	M 12	x	35	125	3,51	261	229	216	20325
140 x 190	52	38	34	20661	295	164	121	22	M 12	x	35	125	3,85	279	244	229	23966
150 x 200	52	38	34	24046	321	167	125	24	M 12	x	35	125	4,07	298	259	243	27892

More sizes on request

Ordering example: RfN 7012

Type	d	D	Further details
RfN 7012	42	75	SST (=stainless steel)

Technical Information

- Surface finishes: Shaft and hub bores R_a ≥ 3,2 μm
- Tolerances: Shaft: k9-h9 · Hub: N9-H9
Max. permissible: Shaft: k11-h11 · Hub: N11-H11

Subject to technical change.