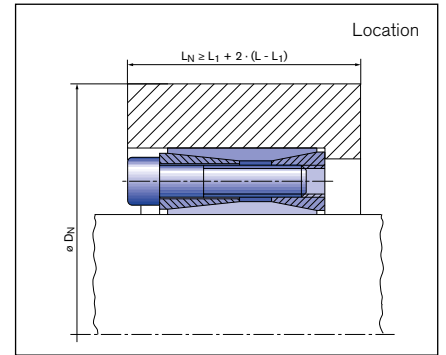
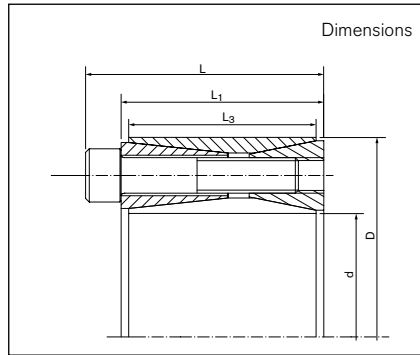
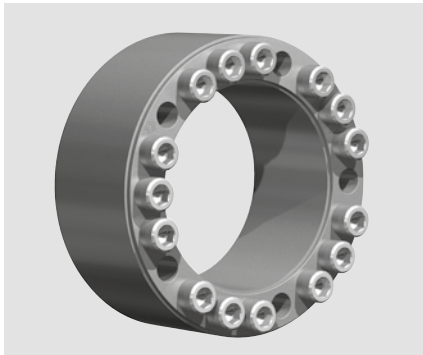


RINGFEDER® Locking Assemblies

RfN 7014



<p>d = Inner diameter</p> <p>D = Outer diameter</p> <p>L = Overall length</p> <p>L₁ = Overall length without screws</p> <p>L₃ = Width of ring</p> <p>T = Transmissible torque at given T_A</p>	<p>F_{ax} = Transmissible axial force</p> <p>p_w = Surface pressure on shaft at given T_A</p> <p>p_N = Surface pressure on hub at given T_A</p> <p>n_{sc} = Quantity of screws</p> <p>D_G = Thread</p> <p>T_A = Maximum tightened torque of the clamping screws</p>	<p>G_w = Weight</p> <p>D_N = min. hub outer diameter depending of the given hub yield point $R_{p0.2}$</p> <p>T_{max} = Maximum transmissible torque</p>
---	---	--

Locking Assembly dimensions					Transmissible torques or axial forces		Surface pressure		Locking screws ISO 4762-12.9			D _N min. Rp0,2 [N/mm ²]					
d	x	D	L	L ₁	L ₃	T	F _{ax}	Shaft	Hub	n _{sc}	D _G	T _A	G _w	200	300	400	T _{max}
mm			mm			Nm	kN	N/mm ²				Nm	kg	mm			Nm
70	x	120	74	62	56	6850	196	200	117	8	M 12 x 55	145	3,3	197	165	154	8068
80	x	130	74	62	56	11650	291	263	162	12	M 12 x 55	145	3,7	---	215	189	13813
90	x	140	74	62	56	13000	289	234	150	12	M 12 x 55	145	4	310	220	196	15505
100	x	160	94	80	74	19700	394	213	133	12	M 14 x 70	230	7,2	312	239	217	23620
110	x	170	94	80	74	26600	484	242	157	14	M 14 x 70	230	7,7	---	284	248	32045
120	x	180	94	80	74	28900	482	222	148	15	M 14 x 70	230	8,3	416	287	255	34968
130	x	190	94	80	74	31200	480	205	140	15	M 14 x 70	230	8,8	399	292	263	37903
140	x	200	94	80	74	40200	574	227	159	17	M 14 x 70	230	9,3	---	337	294	49017
150	x	210	94	80	74	42900	572	212	151	18	M 14 x 70	230	10	510	340	301	52489
160	x	230	110	94	88	64000	800	227	158	17	M 16 x 80	355	14,9	---	390	339	78558
170	x	240	110	94	88	67800	798	214	152	18	M 16 x 80	355	15,7	---	394	347	83477
180	x	250	110	94	88	83000	922	235	169	20	M 16 x 80	355	16,4	---	453	384	102483
190	x	260	110	94	88	88000	926	223	163	21	M 16 x 80	355	17,2	---	454	390	108947
200	x	270	110	94	88	105000	1050	242	179	23	M 16 x 80	355	18,8	---	524	431	130330
220	x	300	134	116	110	123000	1118	189	139	21	M 18 x 100	485	27,7	662	470	420	153404
240	x	320	134	116	110	153000	1275	198	148	24	M 18 x 100	485	29,8	---	527	463	191651
260	x	340	134	116	110	186000	1431	205	157	26	M 18 x 100	485	32	---	586	506	233920
280	x	370	156	136	130	230000	1643	192	145	24	M 20 x 120	690	46	---	606	533	290328
300	x	390	156	136	130	245000	1633	179	138	24	M 20 x 120	690	49	874	614	548	310335

Ordering example: RfN 7014

Type	d	D
RfN 7014	150	210

Technical Information

- Surface finishes: Shaft and hub bores $R_a \leq 3,2 \mu m$
- Tolerances: Shaft: k9-h9 · Hub: N9-H9

Subject to technical change.