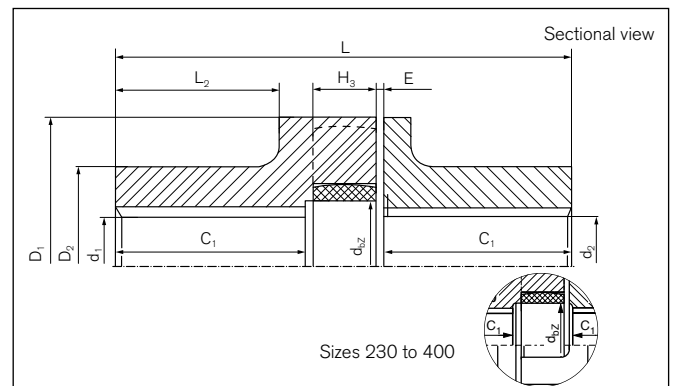


TSCHAN® Elastomer Coupling

# Type S-LSt

Coupling with standard hub



**Dimensions / Technical data**

- T<sub>KN</sub>** = Nom. transmissible torque
- T<sub>Kmax</sub>** = Max. transmissible torque of the coupling
- n<sub>max</sub>** = Max. rotation speed
- d<sub>1f max</sub>** = Max. bore diameter d1 with keyway acc. to ANSI B17.1
- d<sub>2f max</sub>** = Max. bore diameter d2 with keyway acc. to ANSI B17.1

- D<sub>1</sub>** = Outer diameter hub
- D<sub>2</sub>** = Outer diameter hub
- C<sub>1</sub>** = Guided length in hub bore
- L** = Total length
- L<sub>2</sub>** = Length on the hub
- E** = Gap width between left and right component
- F<sub>E</sub>** = Tolerance of the gap width E

- H<sub>3</sub>** = Length of damping module
- d<sub>bz</sub>** = Inner diameter elastomeric spider
- G<sub>wub</sub>** = Weight, unbored

Identifier	Size	T <sub>KN</sub>	T <sub>Kmax</sub>	n <sub>max</sub>	d <sub>1f max</sub>	d <sub>2f max</sub>	D <sub>1</sub>	D <sub>2</sub>
		Nm	Nm	1/min	mm	mm	mm	mm
WS0105-L	50	15	40	15000	25	25	50	42
WS0108-L	85	75	225	9000	40	40	85	60
WS0110-L	100	130	390	7250	42	42	105	65
WS0112-L	125	250	750	6000	55	55	126	85
WS0114-L	145	400	1200	5250	65	65	145	95
WS0117-L	170	630	1900	4500	85	85	170	120
WS0120-L	200	1100	3300	3750	95	95	200	135
WS0123-L	230	1700	5150	3250	105	105	230	150
WS0126-L	260	2650	7950	3000	125	125	260	180
WS0140-L	400	8900	26700	1900	160	160	400	225

To continue see next page

TSCHAN® Elastomer Coupling

Type **S-LSt**

Identifier	Size	C <sub>1</sub>	L	L <sub>2</sub>	E	F <sub>E</sub>	H <sub>3</sub>	d <sub>bz</sub>	G <sub>wub</sub>
		mm	mm	mm	mm	mm		mm	kg
WS0105-L	50	40,5	96	34	1,5	+ 1,0	12	19	1,0
WS0108-L	85	80,5	184	72	2,5	+ 2,0	18	38	4,3
WS0110-L	100	80,5	187	68,5	3	+ 2,0	20	42	5,8
WS0112-L	125	110,5	253	98	3,5	+ 2,5	25	54	12,3
WS0114-L	145	110,5	259	97	4	+ 2,5	30	66	16,1
WS0117-L	170	140,5	321	126	5	+ 3,0	30	90	29,6
WS0120-L	200	140	328	124	6	+ 3,0	35	100	39,6
WS0123-L	230	170	390	151	7	+ 3,5	35	115	59,0
WS0126-L	260	170	400	146	7	+ 4,0	45	150	85,3
WS0140-L	400	183,5	440	157	7,5	+ 4,0	55	250	173,0

Ordering example: TSCHAN® S-LSt

Identifier	Size	d <sub>1f</sub>	d <sub>2f</sub>	Further details*)
WS0117-L	170	75	75	*

\*) Without any other specification, we deliver as a standard: with set screws and keyway acc. to DIN 6885-1, keyway side fit P9, bore tolerance H7

Subject to technical change.